

CORBY

HAIR DRYER RING
HAIR DRYER CLUTCH HOLDER
IRONING BOARD HOLDER

www.corbyofwindsor.com

CONTENTS

SECTION 01

Cautions	03
Introduction	03

SECTION 02

Identification	04
Fixings pack	04
Tools required	04

SECTION 03

Installation	05-07
Contacts	08

CAUTIONS

The screws supplied are suitable for mounting the holder to natural or manmade wooden board with a minimum thickness of 15mm.

Due to varying wall materials, wall fixings are not included. Choose screws and fixings which are suited to the wall material and have sufficient holding power.

Failure to properly mount the product may cause injury and/or property damage. If in doubt seek advice from a suitably qualified tradesman.

INTRODUCTION

Thank you for choosing this Corby hairdryer ring/ironing board holder. The product has been designed to meet the most stringent quality, performance, and safety requirements.

This hairdryer ring/ironing board holder is manufactured from a durable polymer and chromium plated steel. These materials create rigidity and strength offering a hard wearing and durable hairdryer/ironing board storage solution, perfectly suited to the requirements of a hotel guestroom.

HANDLING

Caution should be taken when removing the hairdryer/ironing board from the holder.

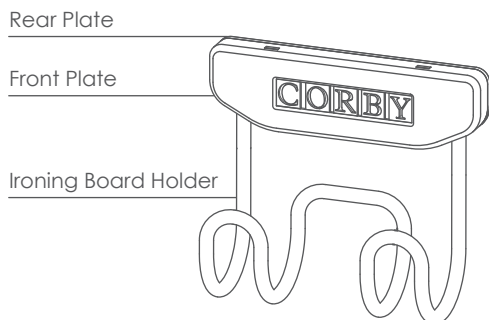
UNPACKING

Carefully lift the parts out of the box
Carefully remove the protective wrapping from the parts
Locate the fixing pack and put aside

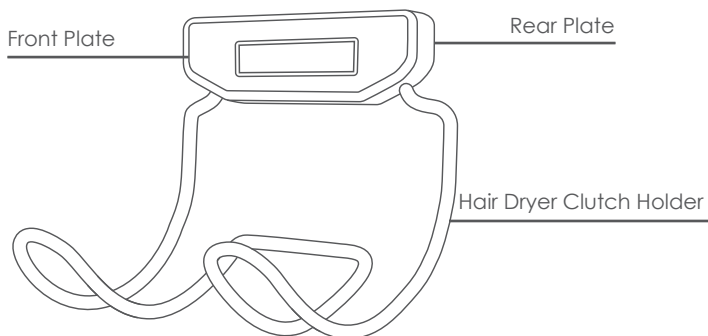
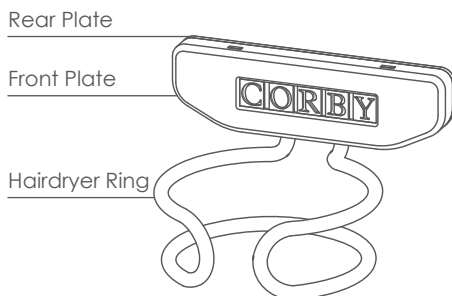
IDENTIFICATION

Please identify your product using the images below, and ensure all relevant parts and fixings are present.

Ironing Board Holder



Hairdryer Ring



FIXINGS PACK

4x 16mm Screw



TOOLS REQUIRED*

1. Cross-head screwdriver (An electric screw driver is recommended)
2. Spirit Level
3. Pencil

*For mounting to natural or manmade wooden board

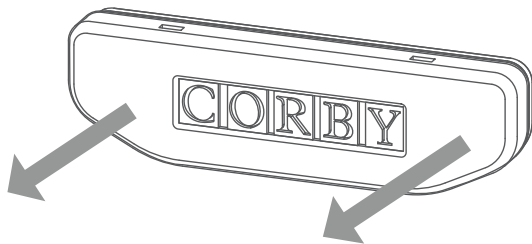
INSTALLATION

Please note this installation guide applies to a number of different products. The visuals may differ slightly from your product, however the installation method is the same.

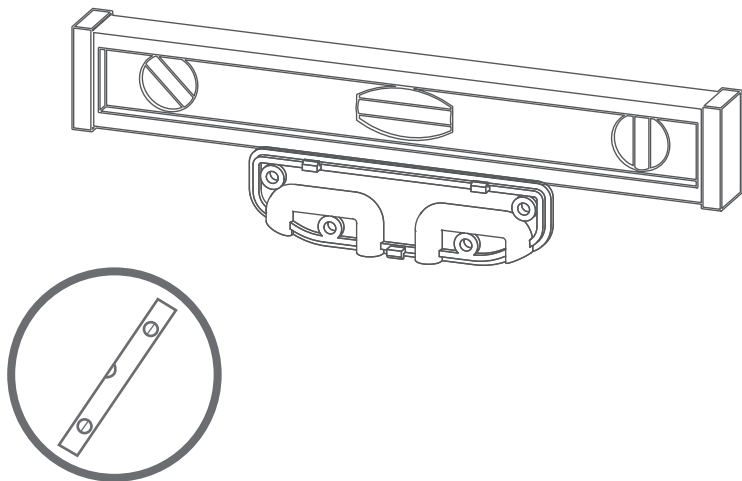
NOTE: If installing the ironing board holder, ensure it is at a sufficient height so the ironing board can be hung on the holder

Check the material thickness of the wood board before mounting. If the thickness is less than 15mm smaller screws will be required.

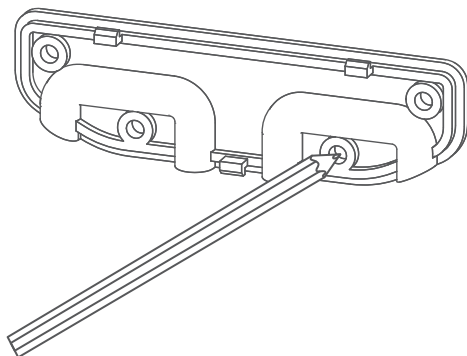
01.



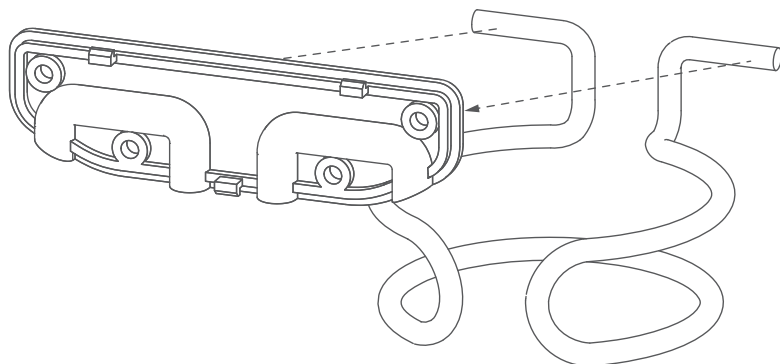
02.



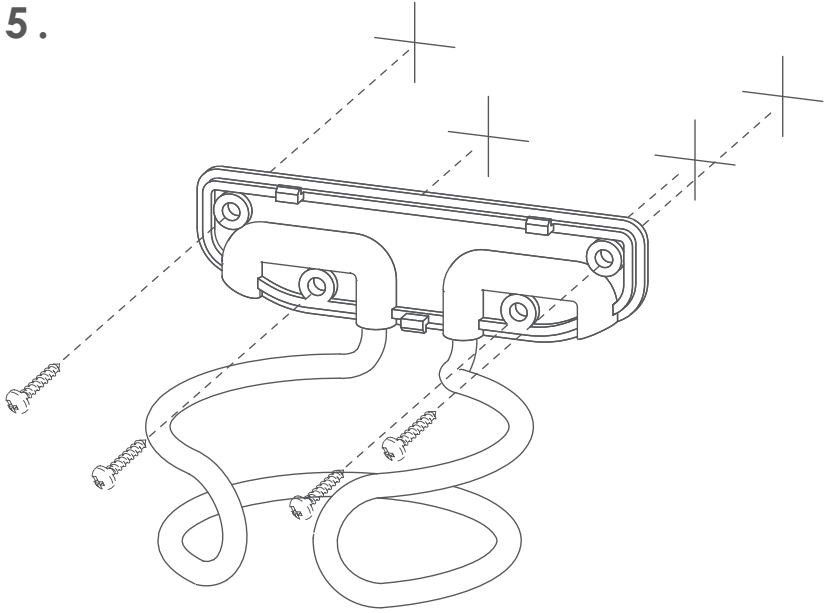
03.



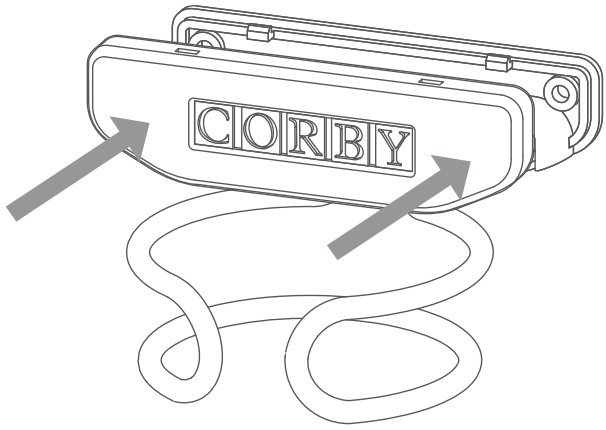
04.



05.



06.



CONTACTS

CUSTOMER HELPLINE

08448 809 301

customer.support@firedupgroup.co.uk



www.firedupgroup.co.uk

Fired Up Corporation Ltd.
Fired Up Buildings
St Thomas Road
Huddersfield
HD1 3LF
United Kingdom
