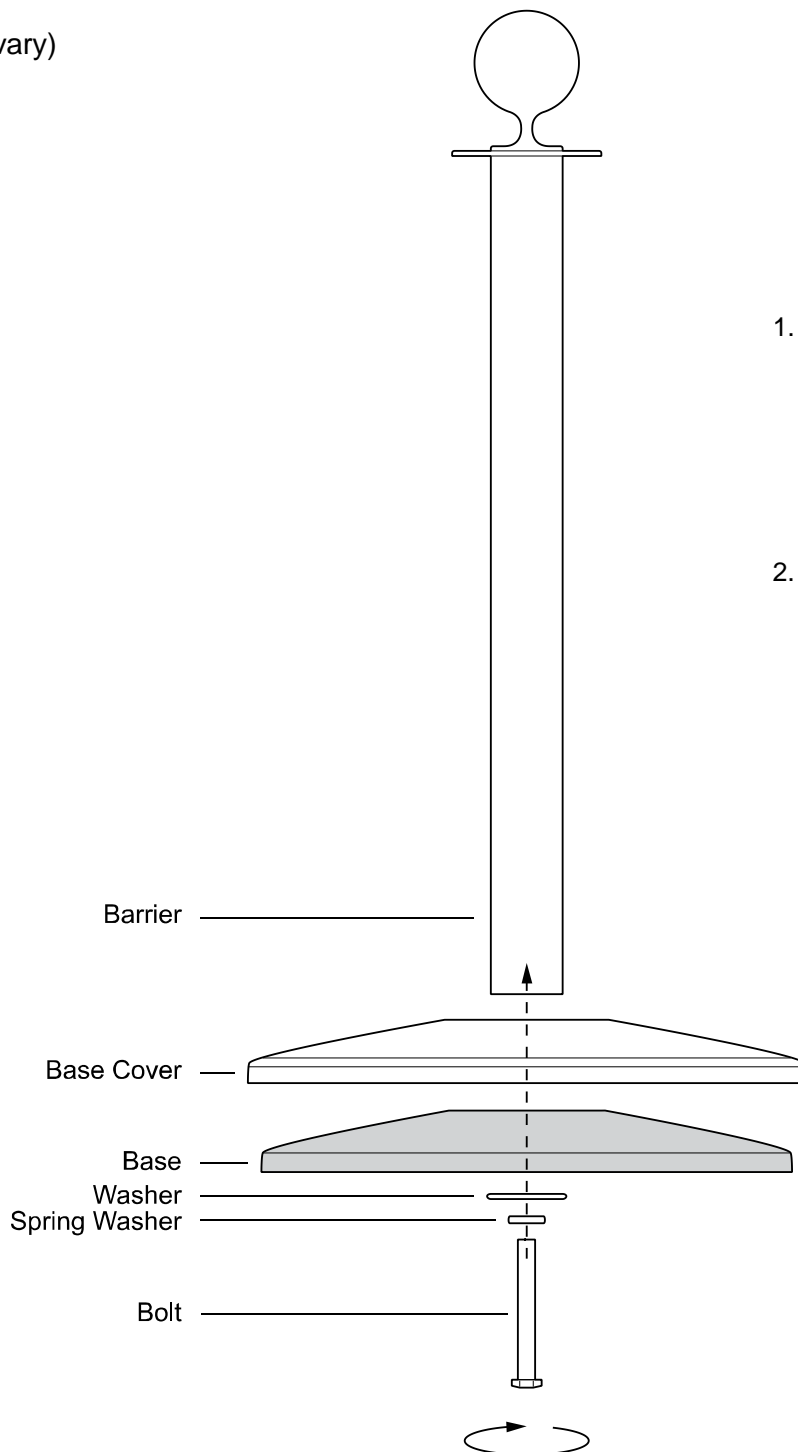


## Assembly Instructions Barrier Stanchion

**These instructions are for your safety. Please read through them before fitting the product & retain for future reference. Failure to follow them could cause injury and/or property damage.**

Identify all parts to the before assembling the Barrier.

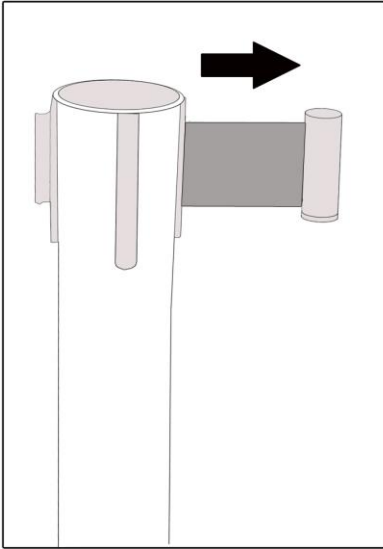
(Styles may vary)



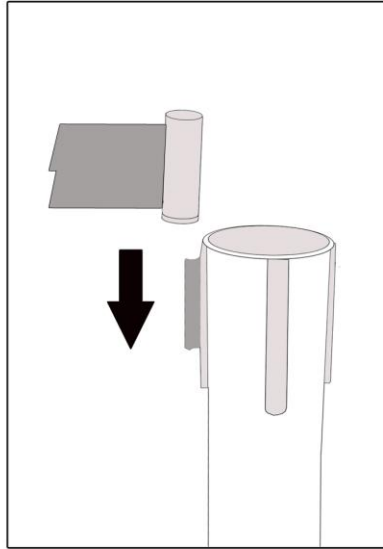
1. Assemble each part onto the Bolt in the order shown and attach to the Bolt to the Barrier.  
Take extra care as the Base and Base cover may be heavy.
2. Stand the Barrier upright and ensure it is sturdy.

## BARRIERS WITH RETRACTABLE TAPE (Styles may vary)

1.



2.



3.

